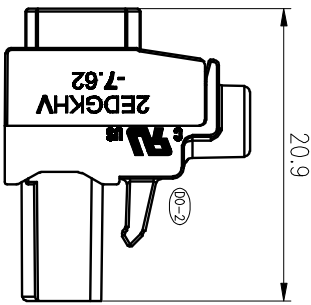
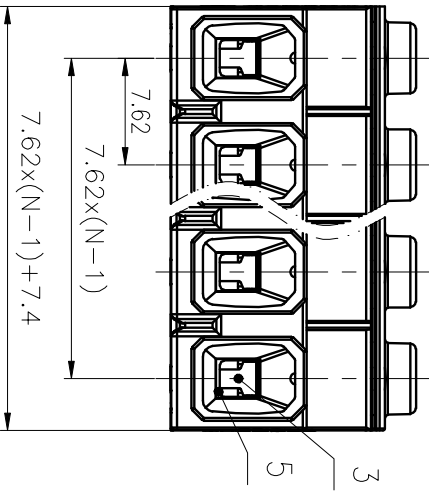
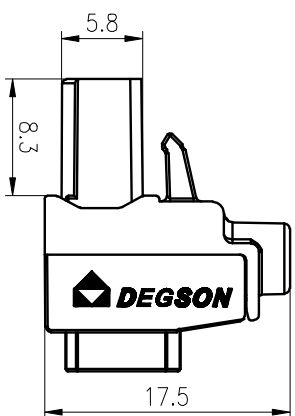


精度等级/General	tolerance/(mm)	0	>3	>6	>10	>18	>30	>50	>80	>120	>180	>250	>315	>400	>500	0.1/10
~	~	~	~	~	~	~	~	~	~	~	~	~	~	~	~	±Z
±0.12	±0.18	±0.22	±0.26	±0.31	±0.37	±0.57	±0.80	±0.93	±1.05	±1.15	±1.60	±2.20	±2.50	±2.50	±Z	±Z



Note:
认证刻字在产品两侧均可
Certified lettering can be
used at both ends

5	Cage	Copper alloy	Ni Plated
4	Screw	Steel	Zn Plated
3	Clamp	Copper alloy	Sn Plated
2	Cover	PA66	UL94V-0
1	Housing	PA66	UL94V-0
ITEM	NAME OF PART	MATERIAL	NOTES
UL 标准 /UL Standard:	B	C	D
额定电压/电压 /Rated Voltage(V)/Current(A)	600/20	600/20	/
EC 标准 /EC Standard:			
过压类别 /Overvoltage Category/污染等级 /Pollution Degree	III/3	III/2	II/2
额定电压/电流 /Rated Voltage(V)/Current(A)	1000/16	1000/16	1000/16
额定冲击电压(kV) /Rate Impulse Voltage(kV)	8	8	6
额定扭矩 /Torque Tightening(N·m/Lbin)	M3, 0.6/5.32		
挠曲范围 /Wire Range(rigid and flexible) (mm ² /AWG)	0.2~2.5/30~12		
剥线范围 /Pales	N=02~12P		
剥线长度 /Stripping length(mm)	7~8		
使用温度范围 /Operating temperature(°C)	-40~+105		
符合标准 /Conform to RoHS	Yes		

MATERIAL: SURFACE:

MAT NO.: /
STATUS: /
APPD: Lon CHH 2020.05.21
CHKD: /
NAME: **DEGSON® NINGBO DEGSON ELECTRICAL CO., LTD**
宁波高松电子有限公司

DRAWING NO.: 100000893
TYPE: CUSTOMER DRAWING
SCALE: 2:1
REV DD-2

REV DD-2
ECN /
DESCRIPTION /
DRAFT /
DATE /
SIZE: A4
1/1