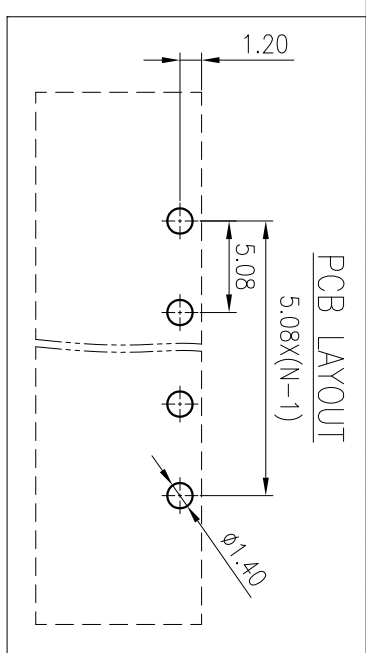
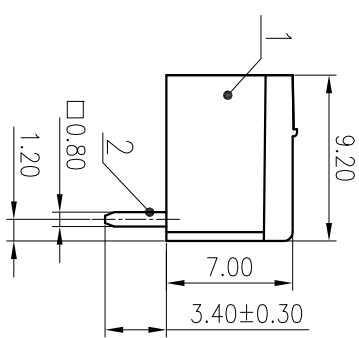
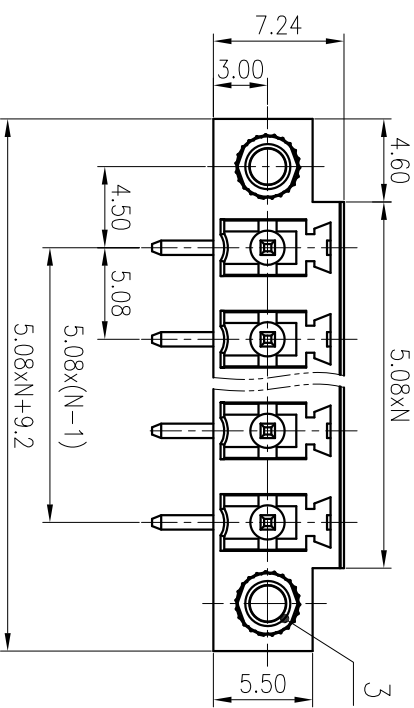
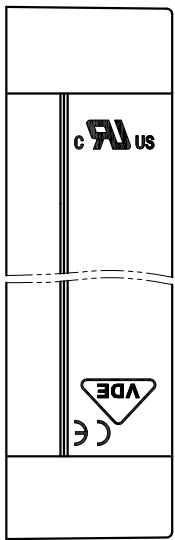
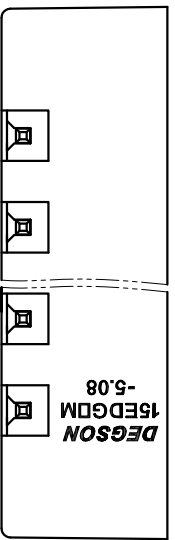


公差 (General Tolerances)(mm)	
0	>3
~	>6
~	>10
~	>18
~	>30
~	>50
~	>80
~	>120
~	>180
~	>250
~	>315
~	>400
~	>500
~	>630
~	>800
~	>1000
±0.12	±0.18
±0.22	±0.26
±0.31	±0.37
±0.57	±0.80
±0.93	±1.05
±1.15	±1.60
±2.20	±2.50
±Z	0.1/1.0



3	Nut	Copper alloy
2	Pin	Copper alloy
1	Housing	PA66
ITEM	NAME OF PART	MATERIAL
UL 标准/UL Standard:		B
额定电压/Rated Voltage(V)/Current(A)		300/8
IEC 标准/IEC Standard:		
过压类别/Overvoltage Category/污染等		II/2
级/ Pollution Degree		
额定电压/电流/Rated Voltage(V)/Current(A)		450/7
额定脉冲电压(KV)/Rate Impulse Voltage(KV)		4
间距/Pitch(mm)/线数范围/Poles		5.08/N=02~12P
使用温度范围/Operating Temperature(°C)		-40~+105
符合RoHS环保要求/Conform to RoHS		Yes



MATERIAL: SURFACE:

MAT NO.: /
 STATUS: /
 APPD: Lan CHH 2020.05.25
 CHKD: Yu JZh 2020.05.25
 DRT: HZD 2015.08.24

NAME: **DEGSON** 宁波高松电子有限公司
 NINGBO DEGSON ELECTRICAL CO., LTD

DRAWING NO.: 15EDGRM-5.08-C01
 TYPE: CUSTOMER DRAWING
 SCALE: 2.5:1 SHEET 1/1

REV	ECN	DESCRIPTION	DRT	DATE
1				

SIZE: A4
 (mm)
 (inch)