

REVISION RECORD				
REV	ECN	DESCRIPTION	DRFT	DATE

Technical characteristics:

Specifications

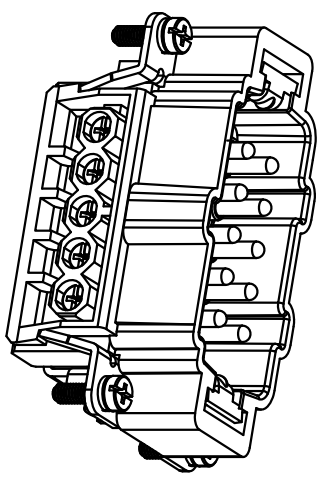
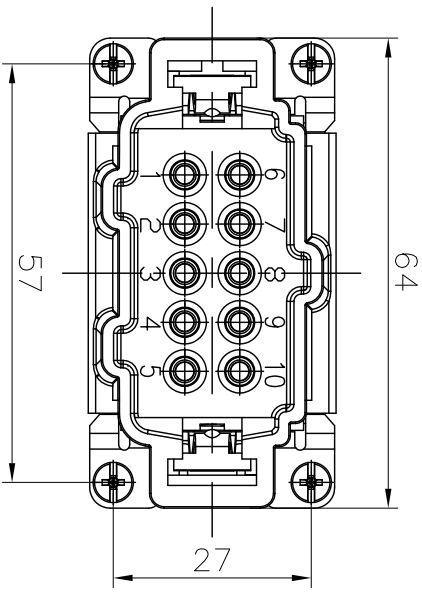
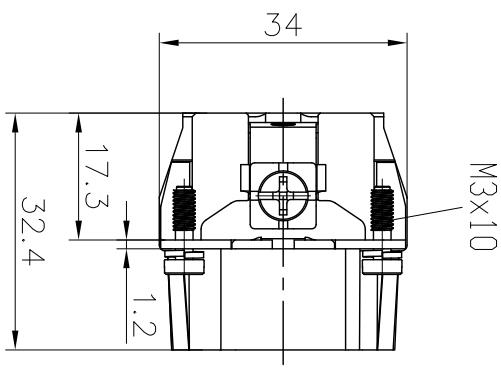
- DIN EN 60 664-1
- DIN EN 61 984

Inserts

01. Number of contacts : 10+PE
02. Rated Current : 16A
03. Rated Voltage : 500V
04. Pollution degree : 3
05. Rated impulse voltage : 6kv¹⁰
06. Insulation resistance : $\geq 10\Omega$
07. Material: Polycarbonate
08. Rated voltage acc. to UL/CSA: 600V
09. Limiting temperatures : -40°C ~ +125°C
10. Flammability acc. to UL94: V0
11. Mechanical working life (mating cycles) : ≥ 500

Contacts

01. Material: Copper alloy
02. Surface: hard-silver plated
03. Contact resistance : $\leq 1m\Omega$
04. Terminal : Screw terminal
05. Wire gauge : 1.0-2.5mm² (AWG: 18-14)
06. Tightening torque : 0.5Nm
07. Stripping length : 7.5mm
08. Rohs Compliance



DETACHED LISTS			
PART NO.:	/	NAME:	DEGSON® NINGBO DEGSON ELECTRICAL CO., LTD 宁波高松电子有限公司
APPD:		CHKD:	DE-010-M
DRFT:	Mr. Yang 2016.08.08	TITLE:	CUSTOMER DRAWING
THIRD ANGLE PROJECTION		DRAWING NO.:	/
		DO NOT SCALE DRAWING	SCALE
		1:1	1:1

A 8 7 6 5 4 3 2 1